

CCS Technical Documentation

RH-10 Series Transceivers

General Information

Contents

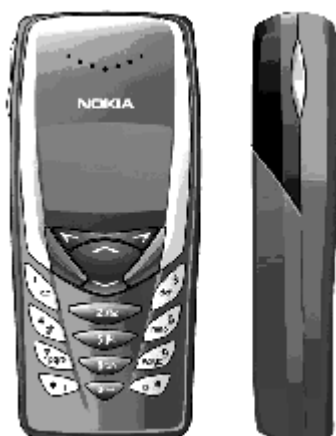
	Page No
Product Selection	5
Handportables	5
Charging Options	6
Modules and Accessories	8
Modules	8
Interconnection Diagram	8
Accessories	9
Mobile Accessories	9
Technical Specifications	10
General Specifications of Transceiver RH-10	10

Product Selection

Handportables

The Nokia RH-10 is a dual band/dual mode radio transceiver unit for U.S. CDMA/ AMPS 800 MHz networks. The transceiver is fully based on DCT4 technology.

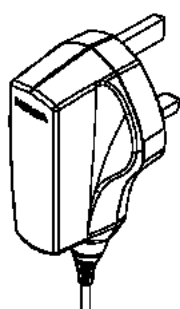
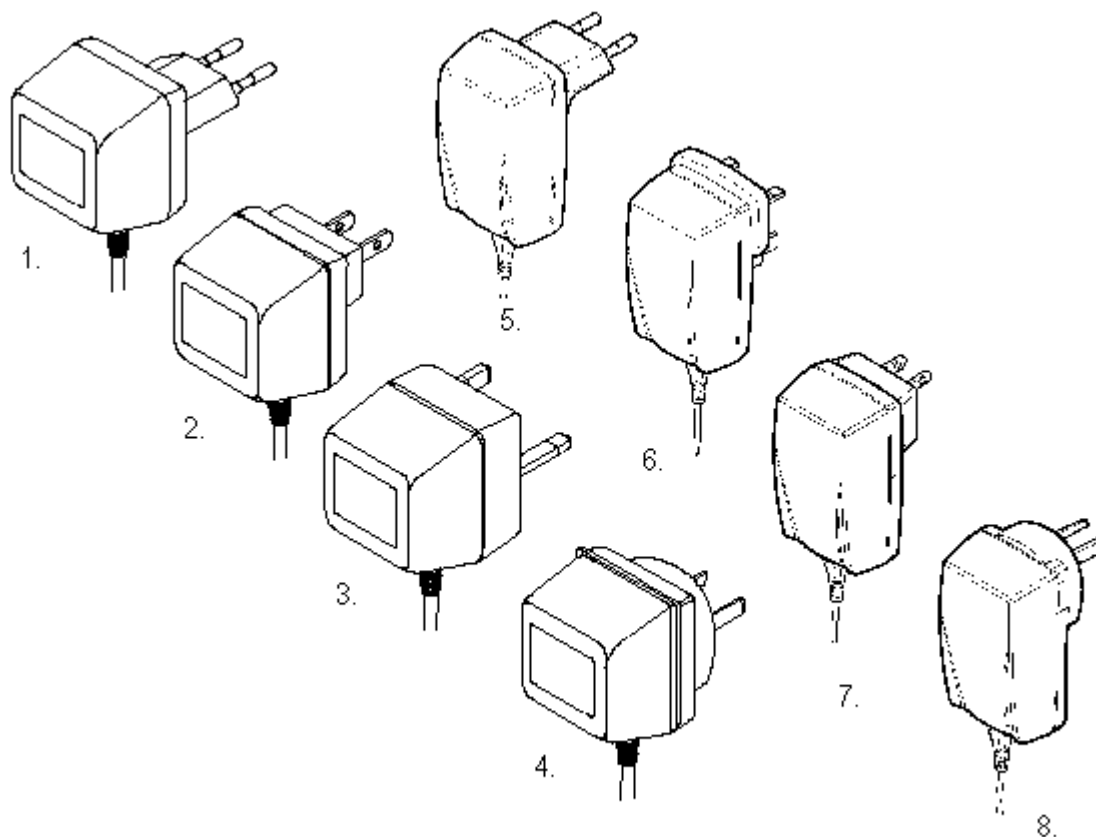
The transceiver consists of System/RF module, keypad module, LCD module, and assembly parts. The User Interface consists of normal number, talk, soft, and power keys in the keymat. The NPW-3 has an internal antenna and the antenna connection is provided by springs from the antenna to the PWB.



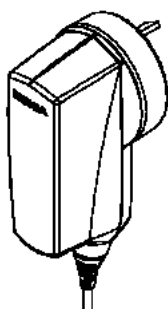
Item name	Type code	Material code
RH-10 transceiver		
Standard battery (Li-Ion 1000 mAh)	BLB-3	0670331
AC Performance travel charger	ACP-8U	0675196
Remote headset	HDE-2	0694075

Charging Options

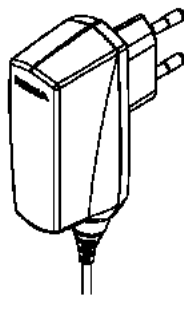
Chargers allow the user to charge the handportable and spare battery from an electrical outlet.



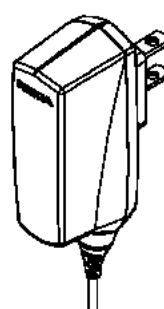
ACP-12X



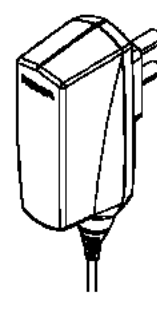
ACP-12A
ACP-12AR



ACP-12E



ACP-12U
ACP-12UB



ACP-12C

Item	Name	Type code	Material code
1	AC travel charger (Euro plug) 207-253 Vac	ACP-7E	0675144
2	AC travel charger (US plug) 108-132 Vac AC travel charger (US plug) 207-253 Vac AC travel charger (US plug) 198-242 Vac	ACP-7U ACP-7P ACP-7C	0675143 0675147 0675158

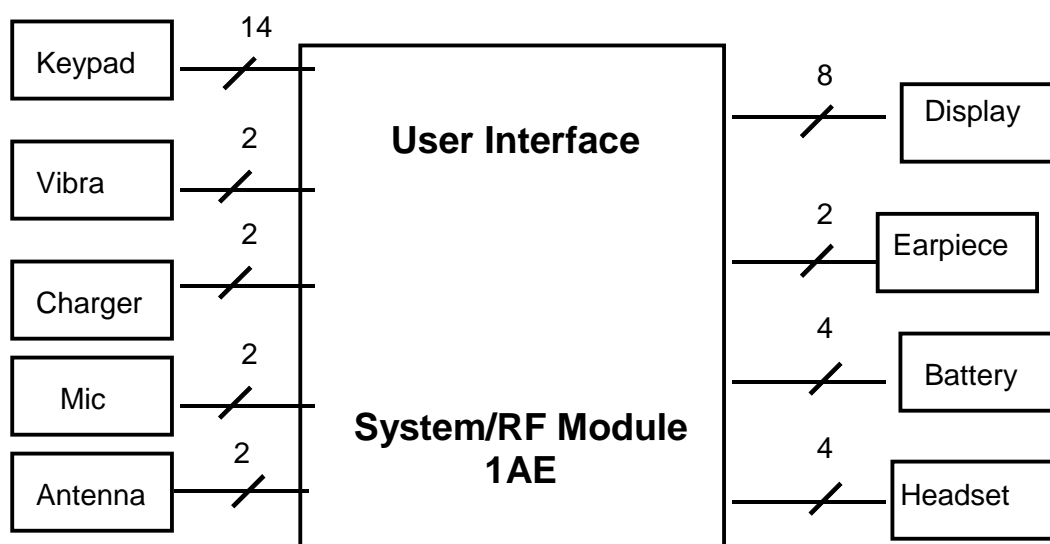
Item	Name	Type code	Material code
3	AC travel charger (UK plug) 207-253 Vac AC travel charger (UK plug) 180-220 Vac	ACP-7X ACP-7H	0675145 0675146
4	AC travel charger (Australia) 216-264 Vac	ACP-7A	0675148
5	Performance travel charger (Euro plug) 90-264 Vac Performance travel charger (Korea plug) 90-264 Vac	ACP-8E ACP-8K	0675195 0675199
6	Performance travel charger (UK plug) 90-264 Vac	ACP-8X	0675197
7	Performance travel charger (US plug) 90-264 Vac Performance travel charger (China plug) 90-264 Vac	ACP-8U ACP-8C	0675196 0675211
8	Performance travel charger (Australia plug) 90-264 Vac	ACP-8A	0675214
	Travel charger (U.K.) Travel charger (Australia) Travel charger (Argentina) Travel charger (Europe) Travel charger (U.S.) Travel charger (Brazil/Portugal) Travel charger (China)	ACP-12X ACP-12A ACP-12AR ACP-12E ACP-12U ACP-12UB ACP-12C	0675296 0675300 0675298 0675294 0675303 0675293 0675298

Modules and Accessories

Modules

Name of module	Type des	Material code
Basic transceiver, blue	RH-10	0508071
System/RF module (Brazil factory)	1AE	0202053
SW NPW-3 basic flash module	SW	Customer-dependent
Mechanics assembly parts	RH-10	0262817

Interconnection Diagram



Accessories

Unit/type	Product code
Standard battery BLB-3 1000 mAh Li-Ion	0670331
AC travel charger ACP-7A (AUS) 216-264 Vac	0675148
AC travel charger ACP-7C (US) 198-242 Vac	0675158
AC travel charger ACP-7E (EUR) 207-253 Vac	0675144
AC travel charger ACP-7H (UK) 180-220 Vac	0675146
AC travel charger ACP-7U (US) 108-132 Vac	0675143
AC travel charger ACP-7X (UK) 207-253 Vac	0675145
AC travel charger ACP-7P (US) 207-253 Vac	0675147
Performance travel charger ACP-8A (AUS) 90-264 Vac	0675214
Performance travel charger ACP-8C (US) 90-264 Vac	0675211
Performance travel charger ACP-8E (EUR) 90-264 Vac	0675195
Performance travel charger ACP-8K (KOR) 90-264 Vac	0675199
Performance travel charger ACP-8U (US) 90-264 Vac	0675196
Performance travel charger ACP-8X (UK) 90-264 Vac	0675197
Travel charger ACP-12X (UK)	0675296
Travel charger ACP-12A (Australia)	0675300
Travel charger ACP-12AR (Argentina)	0675298
Travel charger ACP-12E (Europe)	0675294
Travel charger ACP-12U (U.S.)	0675303
Travel charger ACP-12UB (Brazil/Portugal)	0675293
Travel charger ACP-12C (China)	0675297
Cigarette lighter charger LCH-9	0675120
Loopset LPS-3	0630244
Battery Charging Stand DDC-1 (made in China)	675243
Battery Charging Stand DDC-1 (made in Hong Kong)	675261

Mobile Accessories

Handsfree unit PPH-1 with microphone	0272687
Remote headset HDE-2 without hook button	0694075
Remote headset HDC-5 with hook button	0694059

Technical Specifications

General Specifications of Transceiver RH-10

Parameter	Specifications	
Cellular system	CDMA 800	AMPS 800
RX frequency band	869-894 MHz	869-894 MHz
TX frequency band	824-849 MHz	824-849 MHz
Number of RF channels	787 voice channels	831 voice channels
Channel spacing	30 kHz	30 kHz
Power levels	2 to 7 in analog mode (+8 dBm to +27.0 dBm) 2 to 10 in digital mode (-4 dBm to +27.5 dBm)	

Parameter	Mode	Value and unit
Talk time	Analog	60 min - 112 min
Talk time	Digital	two modes: IS95 = 4 hrs 1X = 3.5 hrs
Standby time	Analog	37 hours - 60 hours
Standby time	Digital	IS95 = 300 hrs 1X = 600 hrs
Dimensions		107x47x21.5 mm
Weight with BLB-3 battery		110 g